

MODELS	DESCRIPTION
VSS2	Motorized ball valve, 2-way, DN 1/2"; Kvs 20 m <sup>3</sup> /h
VSS3	Motorized ball valve, 2-way, DN 3/4"; Kvs 45 m <sup>3</sup> /h
VSS4	Motorized ball valve, 2-way, DN 1"; Kvs 60 m <sup>3</sup> /h
VSS5	Motorized ball valve, 2-way, DN 1"1/4; Kvs 100 m <sup>3</sup> /h
VSD3	Motorized ball valve, 3-way, DN 3/4"; Kvs 9,6 m <sup>3</sup> /h
VSD4	Motorized ball valve, 3-way, DN 1"; Kvs 11,3 m <sup>3</sup> /h



## APPLICATION AND USE

For use in heating, ventilation, heating systems, and air conditioning systems, pneumatic systems and irrigation.

Thanks to the characterized plug, the modulating models full fit the equal percentage characteristic.

Available in 2 and 3 way threaded connections, both provided with on/off actuator MVS210 and MVS410.

The substances admitted are belonging at the following categories:

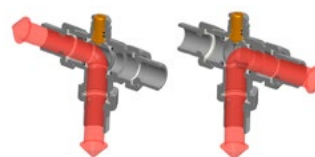
- Water in mixtures of ethylene glycol or propylene glycol 40% max.

## OPERATION

TYPE	MODELS	DN	KVS [m <sup>3</sup> /h]	THREADED	PN	ACTUATORS	FLUID TEMP.		DELTA P
							MIN	MAX	
2-way	VSS2	1/2"	20	FF	32	MVSx10 (10 Nm)	-20° C	+130° C	10 bar
	VSS3	3/4"	45	FF					
	VSS4	1"	60	FF					
	VSS5	1"1/4	100	FF					
3-way	VSD3	3/4"	9,6	FFM					
	VSD4	1"	11,3	FFM					

**Controlli S.p.A.**  
16010 Sant'Olcese (GE)  
Tel. 010 73 06 1  
Fax. 010 73 06 870/871  
[www.controlli.eu](http://www.controlli.eu)

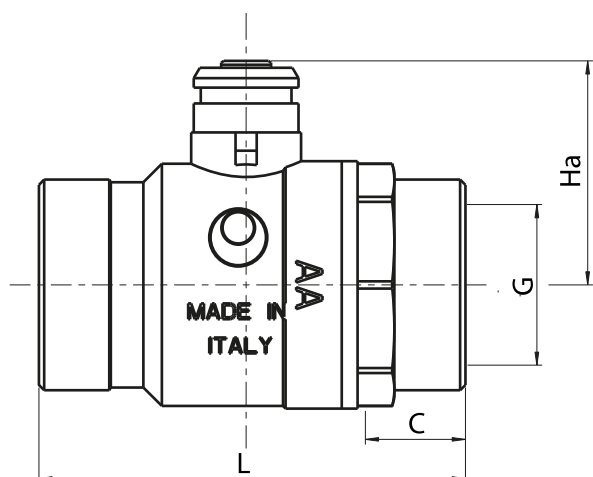
VSD are diverting valves with the following directions of flow.



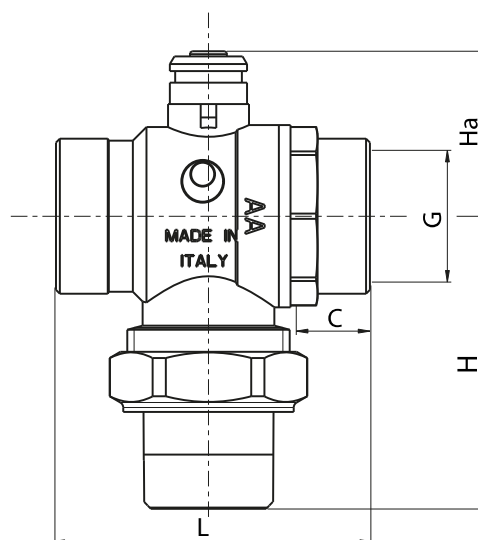
## TECHNICAL CHARACTERISTICS

**Construction:** PN 32  
**Materials:** **Body** Brass (EN-12165 CW617N)  
**Seat** PTFE  
**Ball** Chrome plated Brass (EN-12164 CW617N)  
**Sealing leakage:** Tight close-off  
**Connections:** Female threaded (except VSD3 and VSD4)

VSS2 - VSS3 - VSS4 - VSS5



VSD3 - VSD4



TYPE	MODELS	DN	G	L	C	H	Ha
2-way	VSS2	1/2"	1/2"	62	13	-	35
	VSS3	3/4"	3/4"	68	15	-	39
	VSS4	1"	1"	81	17	-	43
	VSS5	1"1/4"	1"1/4"	89	18	-	48
3-way	VSD3	3/4"	3/4"	68	15	70	39
	VSD4	1"	1"	81	17	75	43