

EBERLE

by Schneider Electric

TS Slimline

The new Thermal Actuator –
small size but big performance



TS Slimline – small size but big performance

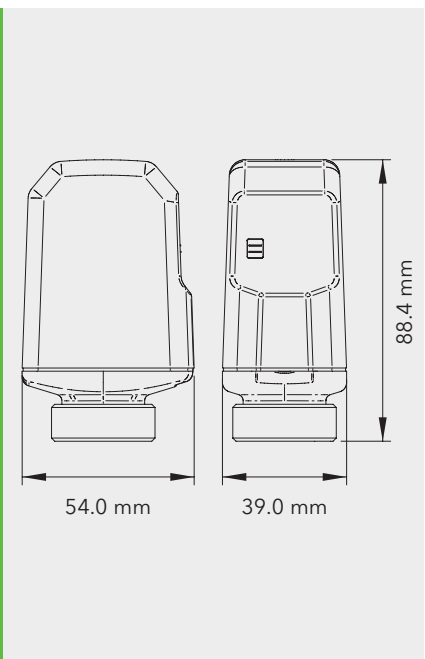
The new TS Slimline Thermal Actuators are further development of the tried and tested TS Actuator range. Now in considerably smaller dimensions, the TS Slimline maintains the same technical performance characteristics and high quality standard.

- Ideal for compact manifolds with small valve centres (as low as 40mm valve centres)
- Robust and silent
- Valve position displayed in window
- Suitable for all valves with M 30 x 1.5 mm connection
- 230 V and 24 V versions
- Excellent ratio of performance and price



Technical Data

Type	TS Slimline	
Part Number	0496 1001 1015	0497 1001 1015
Voltage	230 V~ 50 Hz	24 V AC/DC
Inrush Current	< 1 A	
Power consumption	2.5 W	
Actuator type	open/closed	
Valve type	normally closed	
Electrical cable	2 x 0.5 mm ² , 100 cm long (other lengths available on request), free cable ends with end sleeves	
Ingress Protection / Protection Class	IP44 in vertical position / II	
Stroke	3.5 mm	
Valve Connection	M 30 x 1.5 mm	
Dimensions	39 x 54 x 88 mm (W x L x H)	
Storage Temperature	-25...70° C	
Operating Temperature	0...50° C	
Closing Force	90 N	



EBERLE

by **Schneider** Electric

EBERLE Controls GmbH
 Klingenhofstrasse 71
 D-90411 Nuremberg/Germany
 T +49(0)911 56 93 0
 F +49(0)911 56 93 536
 E-mail: info.eberle@schneider-electric.com
 www.eberlecontrols.com

All specifications in this catalogue regarding our products are merely product descriptions and not legally binding. Printing errors, errors and changes - changes serving product advances also without prior notice - are reserved.

© All rights are reserved. Layout, presentation, logos, texts, graphics and pictures in this catalogue are protected by copyright.



This item is printed on environmentally friendly paper.