



Series	Description
M3	3 - way shoe valves (for codes details see table of technical characteristics)
M4	4 - way shoe valves (for codes details see table of technical characteristics)

APPLICATION AND USE

M3 - M4 valves are used in heating plants with KX400 climatic controllers.

MANUFACTURING CHARACTERISTICS

3/4-way rotating shoe valve bodies with manual control lever and position indicator. All M3 - M4 valves can be motorized even if they are already mounted on field, with MDB.4 actuator by AM72.

TECHNICAL CHARACTERISTICS

Model	Code	DN	Kvs	Max differential pressure [kPa]	Description	Leakage
M3	M31P	1"	30	100	3-way PN6 cast iron body - gas female threaded connections angle-way use - max fluid temp.: 100 °C	1,5%Kvs
	M31P1/4	1 ¼"	37	100		
	M31P1/2	1 ½"	38	100		
	M32P	2"	45	100	As above - PN6 flanged connections according to UNI ISO 2084 standard	
	M340	40	60	100		
	M350	50	70	100		
	M365	65	90	80		
	M380	80	150	50		
	M3100	100	200	30		
M3125	125	250	30			
M4	M41P	1"	30	100	4-way - PN6 cast iron body - gas female threaded connections - max fluid temperature: 110 °C	1,5%Kvs
	M41P1/4	1 ¼"	37	100		
	M41P1/2	1 ½"	38	100		
	M42P	2"	45	100	As above - PN6 flanged connections according to UNI ISO 2084 standard	
	M450	50	70	100		
	M465	65	90	80		
	M480	80	150	50		
	M4100	100	200	30		



ACTUATORS

M3 and M4 shoe valves can be motorized by Controlli MDB.4 actuators; for further information about these actuators look at their data sheet (MDB24-44-54_DBL371e).

ACCESSORIES

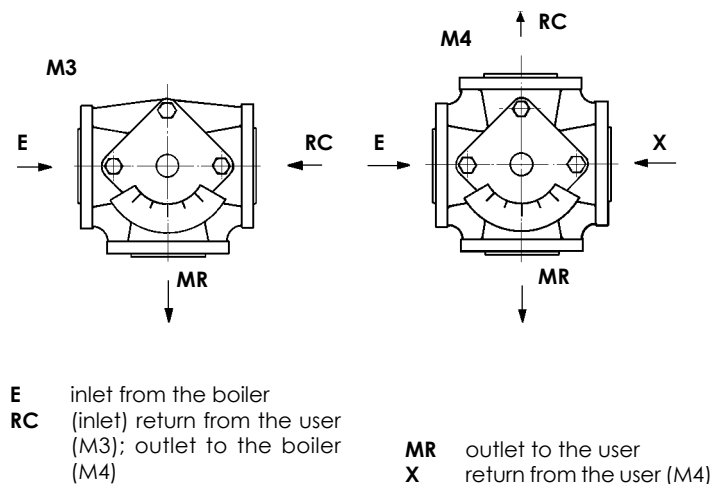
AM72 Linkage kit for assembling of MDB.4 actuators

INSTALLATION

Respect fluid direction as shown on the figure on the right. Before installing the valve, ensure that the pipes are clean, free from welding slags. Pipes must be subjected to vibrations.

Leave enough space over the actuator (10 cm. at least), to allow actuator disassembling from the valve body, for eventual commissioning.

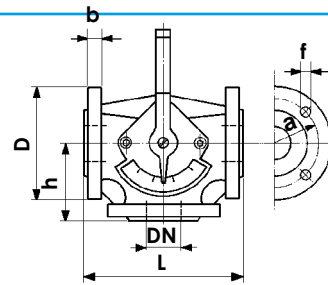
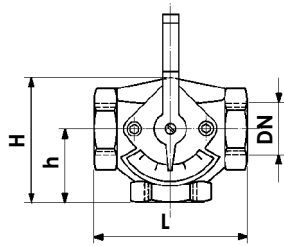
The actuators must not be installed in explosive environment with temperature below -5°C and above 50 °C; they must not be exposed to steam jets or dripping.



START-UP

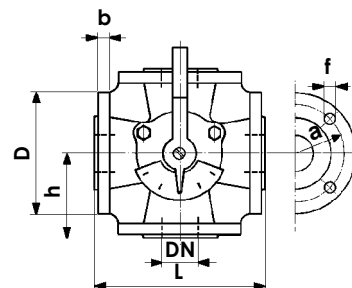
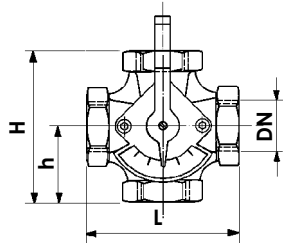
Make sure that the connections to the motorized valve have been carried out properly and that supply voltage corresponds to rating.

OVERALL DIMENSIONS [mm]

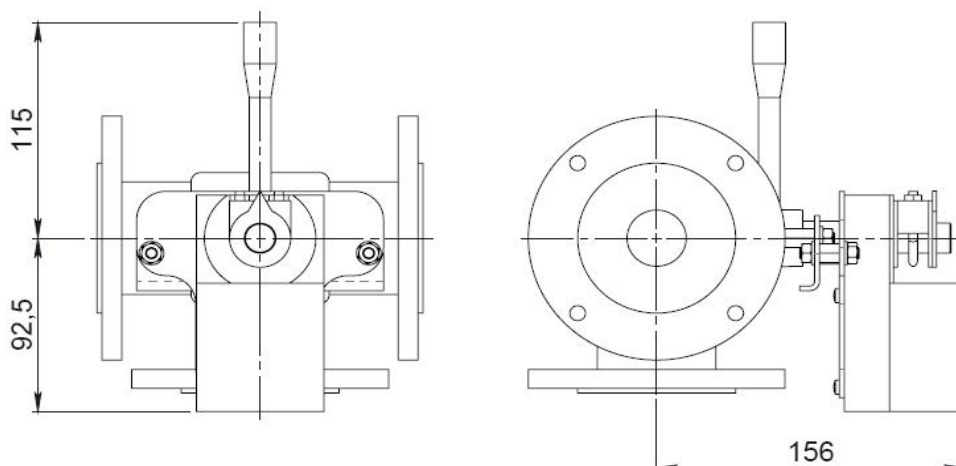


M3 threaded connections [mm]				
DN	L	H	h	Weight [kg]
1"	130	117	65	2,8
1"1/4	140	122	70	3,5
1"1/2	156	130	78	4,5
2"	150	127	75	5,5
M4 threaded connections [mm]				
DN	L	H	h	Weight [kg]
1"	130	130	65	3
1"1/4	140	140	70	3,2
1"1/2	156	156	78	7,5
2"	150	150	75	10

M3 flanged connections [mm]								
DN	L	D	h	2α	f	b	holes n.	weight [kg]
40	180	130	90	100	14	16	4	5
50	180	140	90	110	14	16	4	6
65	200	160	100	130	14	16	4	11
80	230	190	115	150	18	19	4	17
100	260	210	130	170	18	20	4	22,5
125	290	240	145	200	18	20	8	25
M4 flanged connections [mm]								
DN	L	D	h	2α	f	b	holes n.	Weight [kg]
50	180	140	90	110	14	16	4	9
65	200	160	100	130	14	16	4	12
80	230	190	115	150	18	19	4	17,5
100	260	210	130	170	18	20	4	24



DIMENSIONS WITH AM72 [mm]



The performances stated in this sheet can be modified without any prior notice