

TRV4 Thermostatic Radiator Valves

Drayton's range of TRV4s set the standard for quality, design, and energy efficiency. **Now featuring the new White TRV4**



HEATING



- Ultra sensitive liquid-filled head
- Non-stick valve internals
- Half/full click stop setting
- Iconic design
- Radiators can be balanced from the TRV
- Comprehensive range of products and accessories



Setting the standards



Since TRV1 was launched in 1964, Drayton has led the field in TRV design and manufacturing. As a result Drayton has been the TRV brand of choice for installers, specifiers and architects. Today's TRV4 continues to lead the market with its iconic compact design and energy efficient features.

Style

The iconic TRV4 was first launched in 1993 and the range has since been developed to include three stylish options: the original Classic, the contemporary Chrome, and now the new White. The stylish range of heads are available with a comprehensive selection of valve body types and sizes, and a complete range of accessories including lockshield and pushfit solutions make the TRV4 ideal for all domestic and commercial applications.

Performance

TRV4 has been designed to provide years of trouble-free service:

- Valve internals are specially formulated to ensure they never stick
- Preset internals make system balancing far simpler
- REVERSE FLOW capability enables installation on the flow or return with the head either vertical or horizontal
- Double gland seal to protect against water leakage with a top seal that allows removal without draining down the system.

With its easy to set range limiting function and a positive head to body fixing that is infinitely adjustable, the TRV4 is easy to fit and simple to use. Its liquid filled chrome head provide optimum sensitivity meaning maximum energy efficiency.



TRV4 Classic and NEW White

Setting the standard for quality

The TRV4 Classic and the new White TRV have been rigorously tested and Keymark approved to EN215 European Standard. This approval demonstrates the highest standards of quality, reliability, energy saving and safety. All products are manufactured in our ISO 9001 certified factory in the UK.



Key Product features

- 'A' Rated for energy efficiency
- Keymark approved to EN125
- Contemporary design
- Non-stick valve internals
- Sensitive liquid-filled head
- Half/full click stop settings
- Radiators can be balanced from the TRV
- Frost protection position
- Double gland seal
- Replaceable internal parts



TRV4 Classic

Product	Part No.
10mm Angle TRV4	07 05 152
10mm Straight TRV4	07 05 155
15mm Angle TRV4	07 05 150
15mm Straight TRV4	07 05 151
1/2" Angle TRV4	07 05 153
1/2" Straight TRV4	07 05 156
3/4" Angle TRV4	07 05 154
3/4" Straight TRV4	07 05 157
TRV4 Integral (standard) head	07 25 006
TRV4 15mm Angle 2M remote	07 05 158
TRV4 2M Remote head only	07 25 007
TRV 6M Remote head only	07 25 008
TRV4 15mm Angle + lockshield	07 05 180

TRV4 White

Product	Part No.
10mm Angle TRV4 white	07 07 152
10mm Straight TRV4 white	07 07 155
15mm Angle TRV4 white	07 07 015
15mm Straight TRV4 white	07 07 115
TRV4 Integral head white	07 07 007
TRV4 15mm Angle + lockshield white	07 07 260

'A' rated for Energy Efficiency

TRV4 has been awarded the highest "A" rating for energy efficiency by the European valve manufacturers' association (TELL EU).



TRV4 Chrome

The perfect solution for towel rails

The TRV4 Chrome is our contemporary TRV4 which is perfect for bathrooms and towel rails. The stylish chrome finish offers a smooth wipe-clean finish that blends perfectly with towel rails.

If you are looking for a combination of performance, reliability and contemporary style the TRV4 Chrome is the perfect solution. As with all TRV4s it has non-stick internals, a double gland seal and the great benefit of preset internals which allow you to balance the radiator through the TRV.

TRV4 Chrome

Product	Part No.
Chrome TRV4 15mm angle boxed	07 05 150C
Chrome TRV4 15mm straight boxed	07 05 151C
TRV4 Integral (Chrome) Head	07 03 013
TRV4 Chrome 15mm angle + matching manual valve	07 05 170
TRV4 Chrome 15mm straight + matching manual valve	07 05 171

Use the Chrome TRV with the accessories listed on page 5 for the full TRV package.

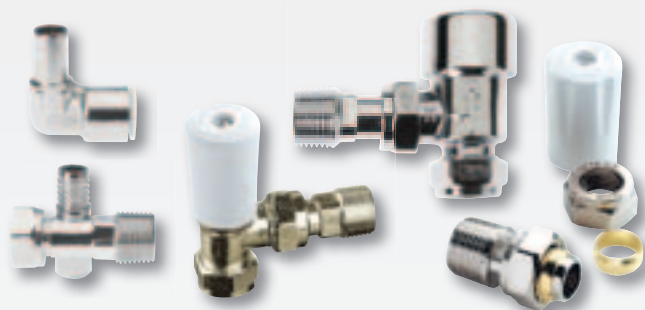


Key Product features

- Contemporary chrome finish
- Ideal for towel rails
- Wipe-clean surface
- Non-stick valve internals
- Sensitive liquid filled head
- Half/full click stop setting
- Radiators can be balanced through the TRV
- Double gland seal
- Replaceable internal parts



TRV4 Accessories



Lockshields and manual valves

Suitable for domestic radiator and towel rails. The chrome finish matches the TRV4 body.

Product	Part No.
15mm Angle lockshield with white cap	07 05 900
15mm Angle lockshield with drain off tap	07 05 901
15mm Drain off tap	07 05 902
15mm Angle lockshield with integral drain off tap	07 05 903
10mm Push-fit elbow	07 05 904
15mm Push-fit elbow	07 05 905
15mm Straight lockshield with white cap	07 05 906
15mm Angle with chrome cap	07 15 215
15mm Straight with chrome cap	07 15 216
10mm Compression elbow	07 05 907
15mm Compression elbow	07 05 908

TRV4 Accessories and Adapters



Product	Part no.
16 x 2mm PEX/multi layer pipe adapter (5 Pack)	07 35 016
15 x 8mm Copper adapter (5 Pack)	07 35 108
15 x 10mm Copper adapter (5 Pack)	07 35 110
ETF 2m Remote setting kit	07 55 002
ETF 6m Remote setting kit	07 55 006
Tamper guard (6 Pack)	07 35 269
White manual wheel head/isolating cap	07 35 123
Presetting key	07 35 162



TRV4 Commercial packs

Suitable for commercial applications and iron pipe applications.

Product	Part No.
TRV4 commercial radiator pack (TRV4 head with 1/2" angle valve and 1/2" angle lockshield)	07 05 187

Additional information



LST Radiators

For details of the Drayton EB Valve body range, which includes 3/8", 1/2", 3/4" and 1" variants, and side angle bodies for LST radiators, please refer to our datasheet D40 available on request. Our price list contains reference to all models.

Flow noise through valves

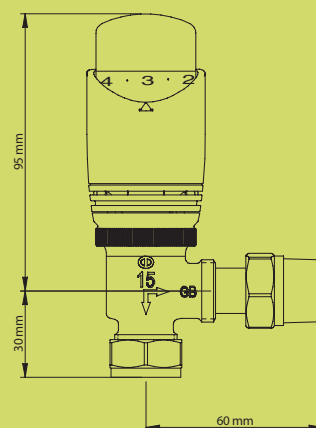
It is strongly recommended that the differential pressure across the thermostatic valves should not exceed 0.2 bar to avoid flow related noise.

A differential pressure regulating device, e.g. the Drayton DTB Automatic By-Pass Valve should be used. Please refer to our datasheet D30.

System cleansing

To avoid damage to the valves and heating system components, and the formation of scale deposit in the hot water heating system, the system should be flushed and a proprietary inhibitor added. Please refer to our datasheet D34.

Dimensions:



Specifications

Heads

- Integral heads are available as a separate item.
Conversion head available to fit TRV3 valves.
- Remote sensing heads with either a 2m or 6m stainless steel capillary supplied with a white plastic wall mounting enclosure for its sensing bulb.

Maximum Sensor Temperature	50°C
Setting numbers	1 to 5 then "MAX"
* Frost protection	Below 8°C
Temperature setting range	Integral sensor 10°C to 30°C Remote sensor 10°C to 30°C
Sensitivity	0.2mm/°C
Hysteresis	0.4 K
Response time	20 minutes

Valves

- Non-stick internals
- Presetting function to balance heating system from TRV

Maximum test pressure	20 bar
Maximum flow temperature	110°C
Maximum static pressure	Valves with BSP threads: 10 bar Valve bodies with compression fittings: 10 bar at 65°C, 6 bar at 110°C
Maximum differential pressure	1 bar (To ensure valve closure)
Maximum recommended differential pressure	0.2 bar (To ensure low noise operation)

Technical Information

The TRV4 range - Range/Kv Values - Valve Bodies

	Presetting Nr.	Kv (1K)	Kv (2K)	Kvs (max)	a (2K)
EB 8,	1	0.10	0.10	0.10	-
10,	2	0.14	0.14	0.14	-
15mm	3	0.19	0.22	0.22	-
	4	0.25	0.35	0.38	0.16
	5	0.28	0.47	0.66	0.48
	6	0.32	0.57	1.01	0.68

Kv is flowrate in m³/h at a differential pressure of 1 bar

$$Kv = \frac{Q}{\sqrt{\Delta p}}$$

Q = Flowrate m³/h

Δp = Differential pressure bar

NB: 8mm and 10mm valves comprise of a standard 15mm body with reducers.

Refer to datasheet D40 for flow capacity graph

Connections

Compression fittings to BS EN 1254-2 1/2" BSP threaded radiator connections to BS EN 10266 standards

Materials

Sensing head: Chrome plated brass and plastic bezel
Valve Body: Chrome plated brass

Drayton

www.draytoncontrols.co.uk



D10-14

Sales: +44 (0) 845 130 5522 | Technical: +44 (0) 845 130 7722 | Fax: +44 (0) 845 130 0622 | Email: customer.care@invensys.com



Watch the A rated installation video
Scan this QR code



Learn more about our full product range
www.draytoncontrols.co.uk



Our thoughts on the world of heating controls
@DraytonControls



Help and how to video guides
www.youtube.com/draytoncontrols

Available from:

Invensys Controls is a global provider of controls, systems and services used in the appliance, commercial refrigeration and heating, ventilation and air conditioning markets. In EMEA its key brands are: Eliwell, Eberle, Drayton and Ranco. It is a division of the Invensys Group, which is a global technology group, listed on the London Stock Exchange.