

| MODEL   | DN (INCHES) | FLOW RATE KVS (M3/H) | STROKE (MM) |
|---------|-------------|----------------------|-------------|
| 3FIA25  | 1"          | 10                   | 20          |
| 3FIA32  | 1"1/4       | 16                   |             |
| 3FIA40  | 1"1/2       | 24                   |             |
| 3FIA50  | 2"          | 42                   |             |
| 3FIA65  | 2"1/2       | 63                   |             |
| 3FIA80  | 3"          | 91                   |             |
| 3FIA100 | 4"          | 138                  |             |

## TECHNICAL DATA

|                            |   |
|----------------------------|---|
| <b>Type</b>                | 3-way mixing globe valve  |
| <b>PN16 models</b>         | DN65, 100   |
| <b>PN40 models</b>         | DN25, 32, 40, 50, 80  |
| <b>Connections</b>         | Flanges UNI/DIN PN16 / PN40   |
| <b>Sealing type</b>        | Soft (Class VI)   |
| <b>Flow characteristic</b> | Linear  |
| <b>Plug type</b>           | V-port  |
| <b>Action</b>              | To be motorized by Controlli MVE actuators. 3FIA valves are supplied already mounted with the selected MVE  |
| <b>Actuators</b>           | when ordering these valves and actuators please include in your order also the codes "MVEAV-10" related to the valve/ actuator assembling in our factory. |
| <b>Temperature</b>         | from -30°C to +180 °C   |

## DESCRIPTION

3FIA range consists in 3-way valve bodies to be assembled with electrical bidirectional actuator. 3FIA valves are 3-way mixing (diverting) valves for industrial use; they offer high performances with many types of fluid within a wide range of temperatures. Valves are delivered after testing and calibration and ready for a long utilize, without maintenance. 3FIA.. valves are used to control fluids in accordance to article 13 of 2014/68/UE (PED) directive, in heating and cooling installations and in industrial processes; they cannot be used as safety valves.

## OPTIONS

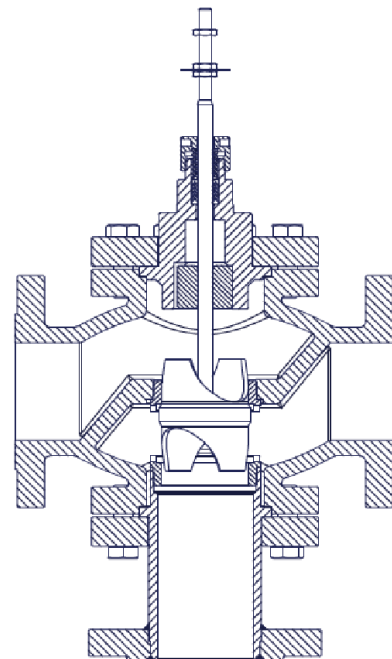
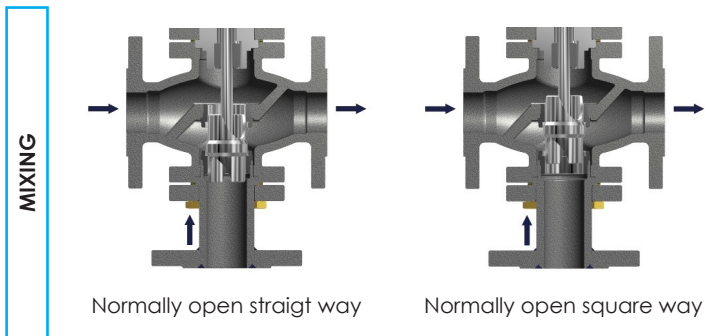
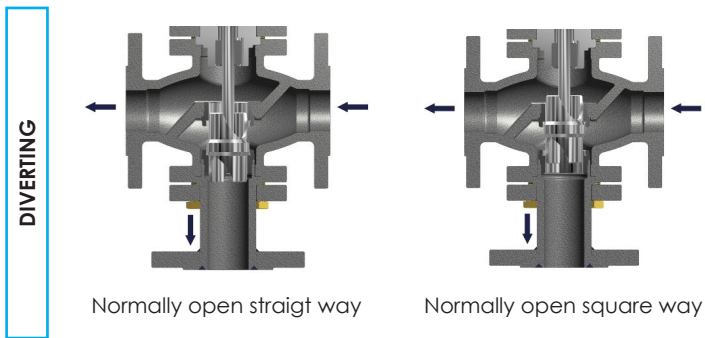
- 3-way DIVERTING (size DN40-100)
- High temperature extension (fined bonnet)
- Low temperature extension (-60°C)
- Bellows seal (double wall PN16, triple wall PN40)
- ANSI 300
- ANSI 150 (only drilling)
- Sealing type: metallic (Class IV - V)

**Controlli S.p.A.**  
 16010 Sant'Olcese (GE)  
 Tel. 010 73 06 1  
 Fax. 010 73 06 870/871  
[www.controlli.eu](http://www.controlli.eu)

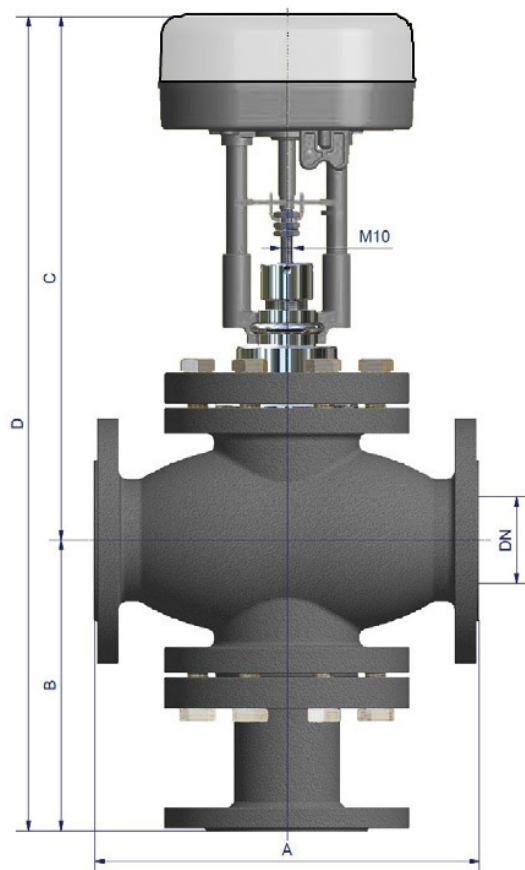


| FLOW RATE COEFFICIENT |     |     |
|-----------------------|-----|-----|
| DN                    | CV  | KVS |
| 25                    | 12  | 10  |
| 32                    | 18  | 16  |
| 40                    | 28  | 24  |
| 50                    | 48  | 42  |
| 65                    | 72  | 63  |
| 80                    | 105 | 91  |
| 100                   | 160 | 138 |

| MATERIALS                 |  |
|---------------------------|--|
| Valve body                | Stainless steel<br>AISI 316 ASTM CF8M              |
| Trim (plug - seat)        | 316L   |
| Stem                      | 316L   |
| Stem packing              | PTFE   |
| Plug and Seat sealing     | PTFE   |
| Acuator                   | See data sheets for MVE actuator and MVH actuators |
| Actuator Yoke             | Aluminium  |
| Valve/actuator connection | U-bolt connection                                  |



| MAX DIFFERENTIAL PRESSURE (kPa) |     |      |       |       |       |
|---------------------------------|-----|------|-------|-------|-------|
| Part#                           | DN  | 600N | 1000N | 1500N | 2200N |
| 3FIA25                          | 25  | 1000 |       |       |       |
| 3FIA32                          | 32  | 570  |       |       |       |
| 3FIA40                          | 40  | 400  | 670   |       |       |
| 3FIA50                          | 50  | 230  | 390   |       |       |
| 3FIA65                          | 65  |      | 240   | 360   |       |
| 3FIA80                          | 80  |      |       | 290   | 430   |
| 3FIA100                         | 100 |      |       |       | 240   |



**Dimensions**

| PART NUMBER | DN  | A   | B   | C   | D   | VALVE STROKE (mm) | NUMBER OF HOLES ON EACH FLANGE | INDICATIVE WEIGHT (kg) |
|-------------|-----|-----|-----|-----|-----|-------------------|--------------------------------|------------------------|
| 3FIA25      | 25  | 160 | 156 | 354 | 510 | 20                | 4                              | 22                     |
| 3FIA32      | 32  | 180 | 156 | 354 | 510 | 20                | 4                              | 28                     |
| 3FIA40      | 40  | 200 | 156 | 354 | 510 | 20                | 4                              | 30                     |
| 3FIA50      | 50  | 230 | 166 | 360 | 526 | 20                | 4                              | 38                     |
| 3FIA65      | 65  | 290 | 219 | 395 | 614 | 20                | 4                              | 54                     |
| 3FIA80      | 80  | 310 | 220 | 395 | 615 | 20                | 8                              | 66                     |
| 3FIA100     | 100 | 350 | 240 | 417 | 657 | 20                | 8                              | 90                     |